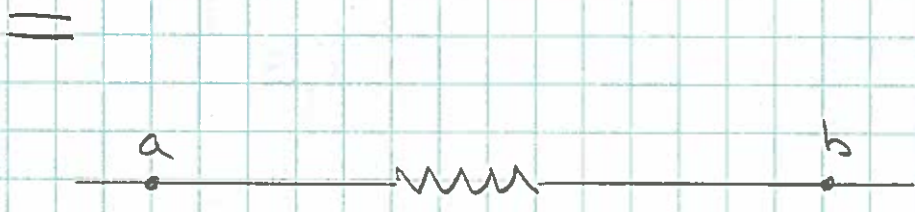
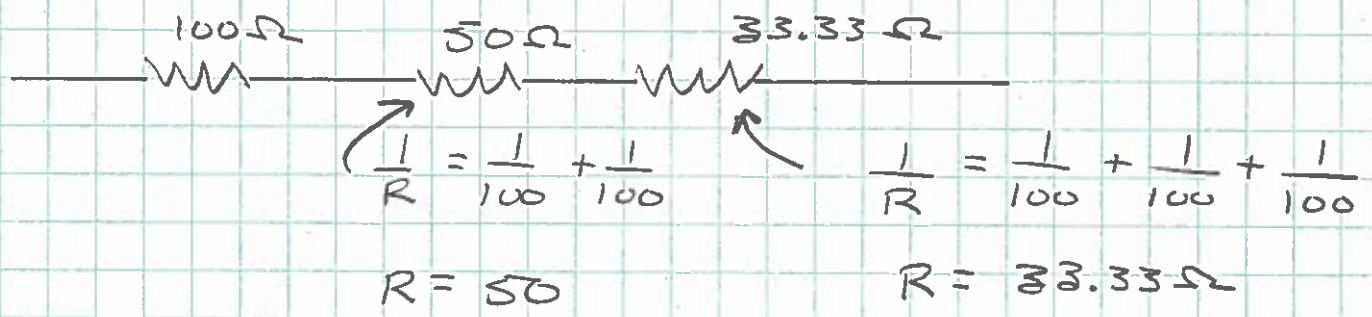
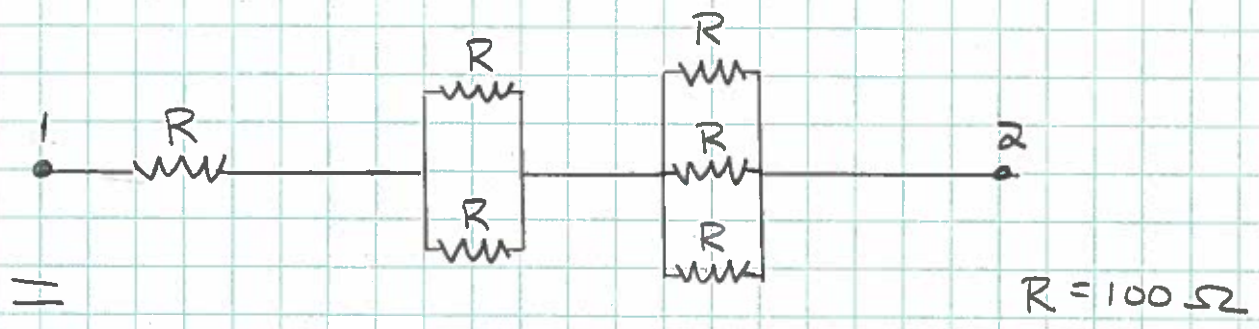


28-25  
1



$$R = 100 + 50 + 33.3$$
$$= \underline{\underline{183.3 \Omega}}$$